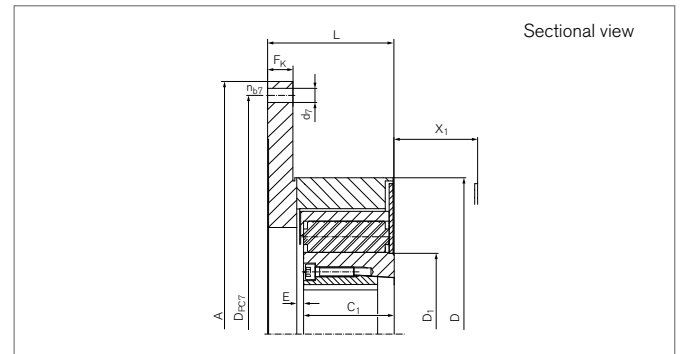


Torsional Highflex Couplings

RINGFEDER® TNR 2425.2

Two-row, SAE flange-shaft connections with taper clamping bush



Size	Taper bushing	SAE Size	A	D _{PC7}	d ₇	n _{b7}	D	D ₁	C ₁
			mm	mm	mm		mm	mm	mm
160.2 - 06.5	1615	6,5	215,9	200,0	9,5	6	160	73	52,0
160.2 - 07.5	1615	7,5	241,3	222,3	9,5	8	160	73	52,0
160.2 - 08.0	1615	8,0	263,5	244,5	11,0	6	160	73	52,0
160.2 - 10.0	1615	10,0	314,3	295,3	11,0	8	160	73	52,0
200.2 - 07.5	2012	7,5	222,3	213,3	9,5	8	200	100	64,0
200.2 - 08.0	2012	8,0	263,5	244,5	11,0	6	200	100	64,0
200.2 - 10.0	2012	10,0	314,3	295,3	11,0	8	200	100	64,0
200.2 - 11.5	2012	11,5	352,4	333,7	11,0	8	200	100	64,0
260.2 - 10.0	2517	10,0	314,3	295,3	11,0	8	260	129	80,0
260.2 - 11.5	2517	11,5	352,4	333,7	11,0	8	260	129	80,0
260.2 - 14.0	2517	14,0	466,7	438,2	14,5	8	260	129	80,0
260.2 - 16.0	2517	16,0	517,5	489,0	14,5	8	260	129	80,0
320.2 - 14.0	3535	14,0	466,7	438,2	14,5	8	320	165	100,0
320.2 - 16.0	3535	16,0	517,5	489,0	14,5	8	320	165	100,0
320.2 - 18.0	3535	18,0	571,5	542,9	18,0	6	320	165	100,0
400.2 - 16.0	4040	16,0	517,5	489,0	14,5	8	400	208	125,0
400.2 - 18.0	4040	18,0	571,5	542,9	18,0	6	400	208	125,0
400.2 - 21.0	4040	21,0	673,1	641,4	18,0	12	400	208	125,0
400.2 - 24.0	4040	24,0	733,4	692,2	22,0	12	400	208	125,0
500.2 - 21.0	5050	21,0	673,1	641,4	18,0	12	500	268	156,0
500.2 - 24.0	5050	24,0	733,4	692,2	22,0	12	500	268	156,0

Taper bushing bore see chapter „Ordering example“ in Product Paper & Tech Paper „RINGFEDER® Torsional Highflex Couplings“

To continue see next page

Torsional Highflex Couplings RINGFEDER® TNR 2425.2

Size	L	E	F _E	F _K	X ₁	J _F	J _N ¹⁾	G _{wub} ¹⁾
	mm	mm	mm	mm	mm	10 ⁻³ kgm ²	10 ⁻³ kgm ²	kg
160.2 - 06.5	71	4,0	-1,0	15	41	10	9	3,7
160.2 - 07.5	71	4,0	-1,0	15	41	13	12	4,0
160.2 - 08.0	71	4,0	-1,0	15	41	17	16	4,3
160.2 - 10.0	71	4,0	-1,0	15	41	32	31	5,2
200.2 - 07.5	84	5,0	-1,5	18	50	21	18	6,8
200.2 - 08.0	84	5,0	-1,5	18	50	26	23	7,2
200.2 - 10.0	84	5,0	-1,5	18	50	43	40	8,3
200.2 - 11.5	84	5,0	-1,5	18	50	64	61	9,2
260.2 - 10.0	104	6,0	-1,5	24	64	86	76	15,2
260.2 - 11.5	104	6,0	-1,5	24	64	112	102	16,4
260.2 - 14.0	104	6,0	-1,5	24	64	254	244	20,5
260.2 - 16.0	104	6,0	-1,5	24	64	375	365	22,9
320.2 - 14.0	132	7,0	-2,0	26	80	464	302	30,1
320.2 - 16.0	132	7,0	-2,0	26	80	652	428	32,7
320.2 - 18.0	132	7,0	-2,0	26	80	1185	616	35,7
400.2 - 16.0	162	8,0	-2,0	31	100	740	640	57,1
400.2 - 18.0	162	8,0	-2,0	31	31	951	851	60,7
400.2 - 21.0	162	8,0	-2,0	31	100	1559	1459	68,4
400.2 - 24.0	162	8,0	-2,0	31	100	2015	1915	72,8
500.2 - 21.0	197	10,0	-2,5	34	126	2327	1950	114,0
500.2 - 24.0	197	10,0	-2,5	34	126	2802	2425	118,0

¹⁾ Weight and mass moment of inertia for hubs without taper lock bushing

Explanations

SAE = Flange connection to SAE J 620 d	D₁ = Outer diameter	X₁ = Required space for dismounting of the elastic buffer
A = Max. outer diameter	C₁ = Guided length in hub bore	J_F = Moment of inertia on thrust flange side
D_{PC7} = Pitch circle diameter of bore holes d ₇	L = Total length	J_N = Moment of inertia hub side
d₇ = Bore diameter	E = Gap width between left and right component	G_{wub} = Weight, unbored
n_{b7} = Quantity of bore d ₇	F_E = Tolerance of the gap width E	
D = Outer diameter	F_K = Flange thickness	

Ordering example

Series	Size	Buffer	Taper bushing	Bore taper bushing
TNR 2425.2	260.2 - 14.0	Pb 70/Pb 60	2517	28

Further information on
RINGFEDER® TNR 2425.2
 on www.ringfeder.com

Disclaimer of liability

All technical details and notes are non-binding and cannot be used as a basis for legal claims. The user is obligated to determine whether the represented products meet his requirements. We reserve the right carry out modifications at any time in the interests of technical progress.