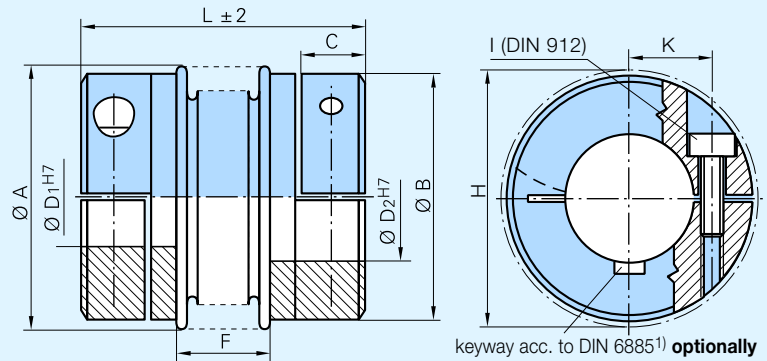


Backlash-free Metal Bellow Coupling Series AKN

with increased torsional stiffness with clamping hub



Technical data series AKN

Type	18	30	60	80	150	200	300	500
Nominal torque (Nm) T_{KN}	18	30	60	80	150	200	300	500
Torsional stiffness (10^3 Nm/rad) C_{Tdyn}	8	35	75	130	150	170	500	680
Radial spring stiffness (N/mm) C_r	200	720	1100	1200	2000	2500	6300	8800
Axial spring stiffness (N/mm) C_a	50	50	90	80	150	150	280	100
Moment of inertia (10^{-3} Kgm ²) J	0,08	0,1/0,16	0,3/0,5	1,4/2,3/2,8	1,4/2,3/2,8	2,6/4,2	4,6/6,2	9
Tightening torque of the retaining screws (Nm) M_A	6	15/12	40/30	60/55/50	80/70/50	100/80	110/90	145
Weight (approx. kg) m	0,2	0,2/0,3	0,5/0,6	1,7/2,1/2,3	1,7/2,1/2,3	2,5/3,3	3,4/4,1	4,8
Max. approved misalignment (mm) radial ΔK_r	0,2	0,1	0,1	0,2	0,2	0,2	0,2	0,2
(mm) axial ΔK_a	0,5	0,4	0,4	0,4	0,4	0,4	0,4	0,5
(degree) angular ΔK_w	1,5	1	1	1	1	1	1	1
Max. rotating speed at $V=30$ m/s (min^{-1}) n_{max}	12700	10200	8600	6800	6800	6300	5900	4900

Dimensions series AKN

Type	18	30	60	80	150	200	300	500
L (mm) ± 2	63	65	78	91	91	100	102	110
$\varnothing A$ (mm) max.	46	56	66	83	83	90	110	122
$\varnothing B$ (mm)	45	47/56	57/66	76/80/84	76/80/84	80/90	91/96	110
C (mm)	12	15	19,5	21,5	21,5	25,5	26	29,5
D_1^{H7}/D_2^{H7-2} (mm) min.	10	10/20	14/23	20/28/35	20/28/35	25/32	32/40	40
(mm) max.	25	20/25	23/35	28/35/40	28/35/40	32/42	40/45	60
F (mm)	24	16	20	24	24	24	27	28
I (mm)	M5	M6	M8	M10	M10	M12	M12	M12
K (mm)	17,5	16/20	20/24	24/27/28	24/27/28	26/31	32/35	40
H (mm) Clearance diameter	48	56	70	84	84	93	102	115

Hubs 18 - 60 made of aluminium, hubs 80 - 500 made of steel; other materials available on request

- 1) Tolerance of keyway; standard JS9
- 2) Smaller diameters possible for lower torque of transmission
- 3) Stainless steel version also available

Ordering data

AKN 150 - 30^{H7} - 35^{H7} - xxx

Type

Bore diameter D_1

Bore diameter D_2

Further details e.g. material, keyway

GERWAH®