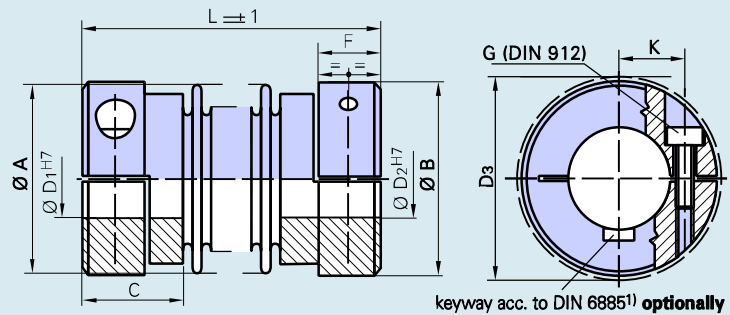


Backlash-free Metal Bellow Coupling Series BK

Basic Line



keyway acc. to DIN 6885¹⁾ **optionally**

Technical data series BK

Type			2	4,5	10	18	30	60	80	150	300
Nominal torque (Nm)	T _{KN}		2	4,5	10	18	30	60	80	150	300
Misalignment (mm)	radial ΔK _r		0,1	0,1	0,15	0,15	0,1	0,1	0,2	0,2	0,2
	axial ΔK _a		0,3	0,3	0,4	0,4	0,4	0,4	0,4	0,4	0,4
	angular ΔK _w (degree)		2	2	2	1,5	1,0	1,0	1,0	1,0	1,0
Torsional stiffness (10 ³ Nm/rad)	C _{Tdyn}		1,5	6,5	8,1	8,1	35	75	130	150	500
Radial spring stiffness (N/mm)	C _r		-	-	-	200	720	1100	1200	2000	6300
Axial spring stiffness (N/mm)	C _a		-	-	-	50	50	90	80	150	290
Moment of inertia (10 ⁻³ Kg ^m ²)	J		25	98	231	231	160	500	2800	2800	6200
Tightening torque of the retaining screws (Nm)	M _A		1	3	3	6	12	30	50	50	90
Weight (Kg)	m		0,03	0,074	0,12	0,2	0,3	0,6	2,3	2,3	4,0
Max. rotating speed at V=30 m/s (min ⁻¹)	n _{max}		13.000	13.000	13.000	11.400	9.100	7.700	6.100	6.100	5.300

Dimensions series BK

Type			2	4,5	10	18	30	60	80	150	300
Ø A (mm)	max.		24	32	40	43,5	56	66	82	82	110
Ø B (mm)			25	32	40	45	56	66	84	84	96
C (mm)			13	15,5	17	19,5	24,5	29	33,5	33,5	37,5
L (mm)	±1		37	47	53	63	65	78	91	91	102
F (mm)			8	10	10	11	15	19,5	21,5	21,5	26
D ₁ /D ₂ (mm)	H7 min. - max.		3-12	6-16	6-19	8-25	12-30	14-35	16-40	19-40	24-45
D ₃ (mm)	Clearance diameter		27	34	41,5	48	56	70	84	84	102
G (DIN 912) (mm)	8.8		M3	M4	M4	M5	M6	M8	M10	M10	M12
K (mm)			9	11,5	15,5	17,5	20	24	27	27	35

Hub design

Up to size 10 single slitted, from size 18 double slitted

Hub bores

Standard quality of fitting H7
Custom bores on request

Materials

Hubs 2 - 60 made of aluminium
Hubs 80 - 300 made of steel
Metal bellow made of stainless steel

1) Tolerance of keyway; standard JS9

Ordering data

BK 18 - 15H7 - 10H7 - xxx

Basic Line

Type	
Bore diameter D ₁	
Bore diameter D ₂	
Further details e.g. material, keyway	

GERWAH