

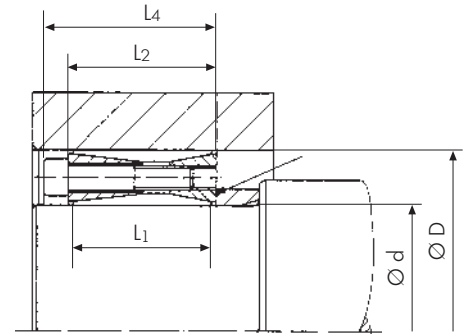
Locking Assembly PSV 2003



Advantages

- no axial movement during installation
- flexible use

Shaft sizes up to 260 mm
Torque up to 184.000 Nm



Important: Step in shaft or hub necessary for removal.

Technical Data and Dimensions

Locking Assembly Dimensions					Transmissible Torque T Nm	Axial Force F_{ax} kN	Contact surface pressure between locking assembly and		Locking screws G DIN 912	Tightening torque of screws T_A Nm
$\varnothing d$ mm	$\varnothing D$ mm	L_1 mm	L_2 mm	L_4 mm			Shaft P_w N/mm ²	Hub P_N N/mm ²		
45	85	44	50	60	3140	140	278	148	M10	84
50	90	44	50	60	3470	139	253	141	M10	84
55	95	44	50	60	3800	138	223	130	M10	84
60	100	44	50	60	4130	138	208	125	M10	84
65	115	56	62	74	6520	201	230	130	M12	145
70	120	56	62	74	7000	200	205	120	M12	145
80	130	56	62	74	11900	298	269	165	M12	145
90	140	56	62	74	13300	296	240	154	M12	145
100	160	74	80	94	20100	402	217	136	M14	235
110	170	74	80	94	25400	462	231	154	M14	235
120	180	74	80	94	29600	493	227	151	M14	235
130	190	74	80	94	34000	523	223	153	M14	235
140	200	74	80	94	38800	554	219	153	M14	235
150	210	74	80	94	43900	585	217	155	M14	235
160	230	88	94	110	61400	768	218	152	M16	365
170	240	88	94	110	68900	811	217	154	M16	365
180	250	88	94	110	80300	892	227	164	M16	365
190	260	88	94	110	89500	942	227	166	M16	365
200	270	88	94	110	102000	1020	235	174	M16	365
220	300	110	116	134	126000	1145	194	142	M18	500
240	320	110	116	134	157000	1310	203	152	M18	500
260	340	110	116	134	184000	1420	203	155	M18	500

Additional diameters available upon request. Technical Specifications subject to change without notice.

Order data:

45 x 85 PSV 2003
d x D Type

Applications

- presses
- shredders
- water power plants

Technical Details

- self-centering
- tolerances H8/h8
- surface roughness
 R_t max 16µm for shaft and hub